

NEW



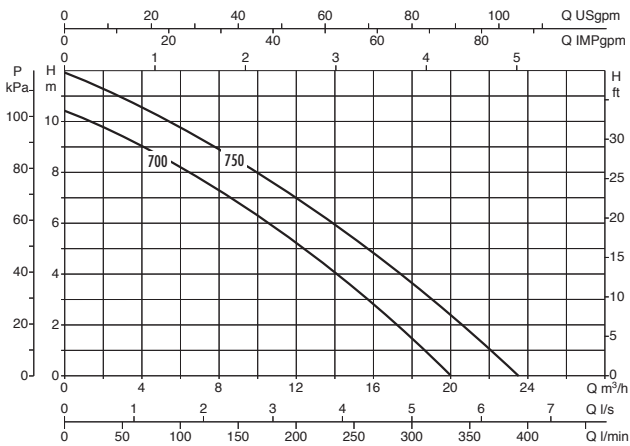
FEKA BVP SUBMERSIBLE PUMPS

Powerful submersible pumps for emptying and drainage. Suitable for pumping contaminated water containing solid particles with a maximum diameter of 38 mm.

Materials resistant to corrosion and oxidation.
Motor with thermal overload protection.

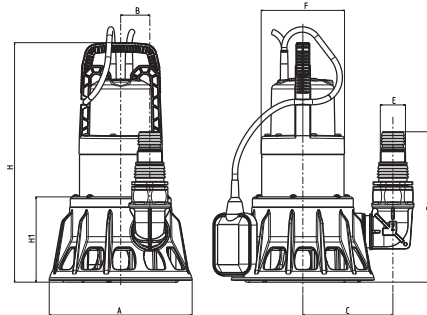
Motor shaft and wear-resistant impeller.
Optimal motor cooling to enable pump operation even when only partially submerged.
Automatic version with float switch for automatic pump start-up and shutdown.
Equipped with power cable and plug, check valve and 4-level coupling.

ELECTRICAL AND HYDRAULIC DATA



MODEL	VOLTAGE 50 Hz	P2 NOMINAL		Ø	CABLE LENGHT m.	Q m³/h	H m
		kW	HP				
FEKA BVP 700 M-A	1 x 230 V	0,70	0,95	1 1/2"	10	2-18	10,4-1
FEKA BVP 750 M-A	1 x 230 V	0,75	1	1 1/2"	10	2-24	11,4-1

DIMENSIONS AND WEIGHT



MODEL	A	B	C	D	E	F	H	H1	PACKAGING VOLUME m³	GROSS WEIGHT Kg
FEKA BVP 700 M-A	240	49	150	250	M40	140	400	142	0,023	8
FEKA BVP 750 M-A	240	49	150	250	M40	140	400	142	0,023	8